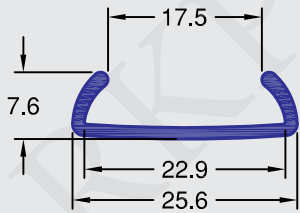
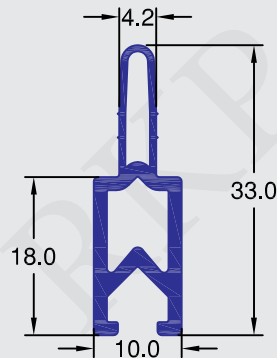


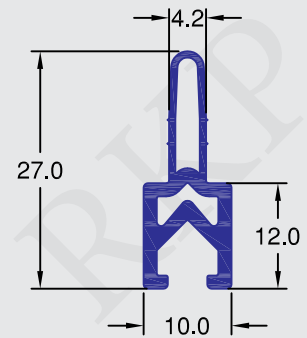
# RIGID UPVC PROFILES



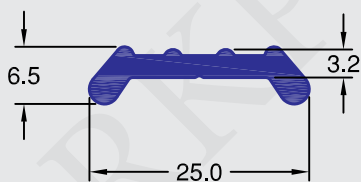
RSP/PVCR/1001



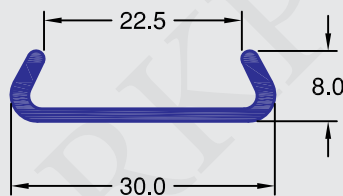
RSP/PVCR/1002



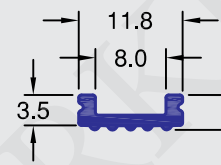
RSP/PVCR/1003



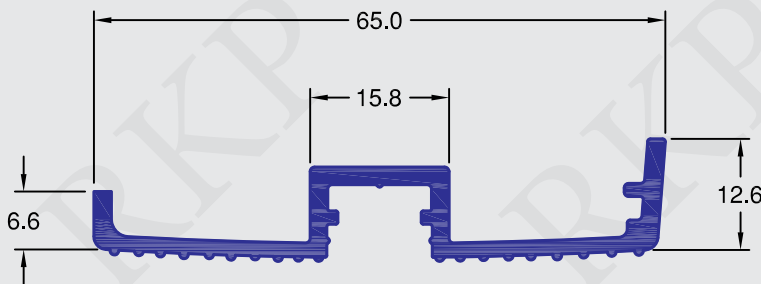
RSP/PVCR/1004



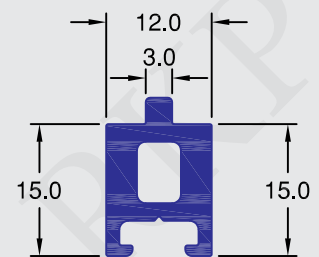
RSP/PVCR/1005



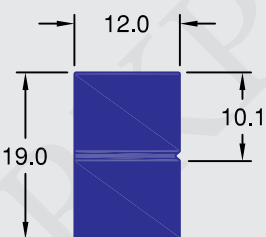
RSP/PVCR/1007



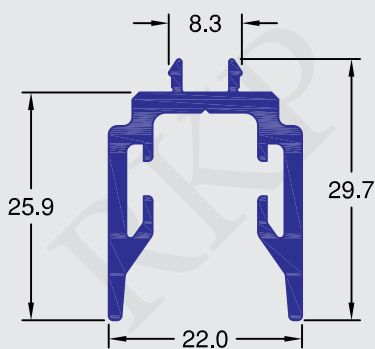
RSP/PVCR/1006



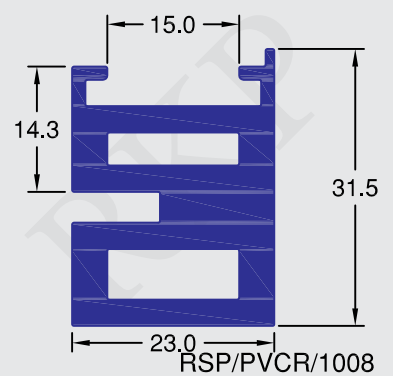
RSP/PVCR/1009



RSP/PVCR/1010

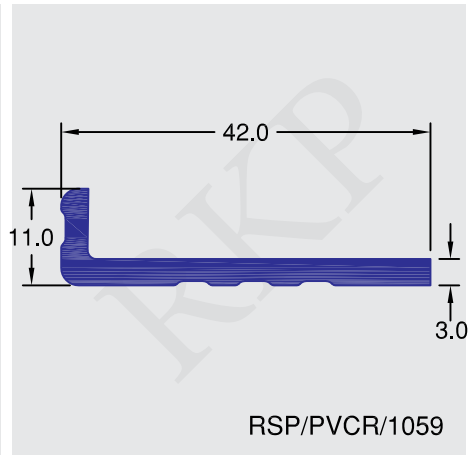
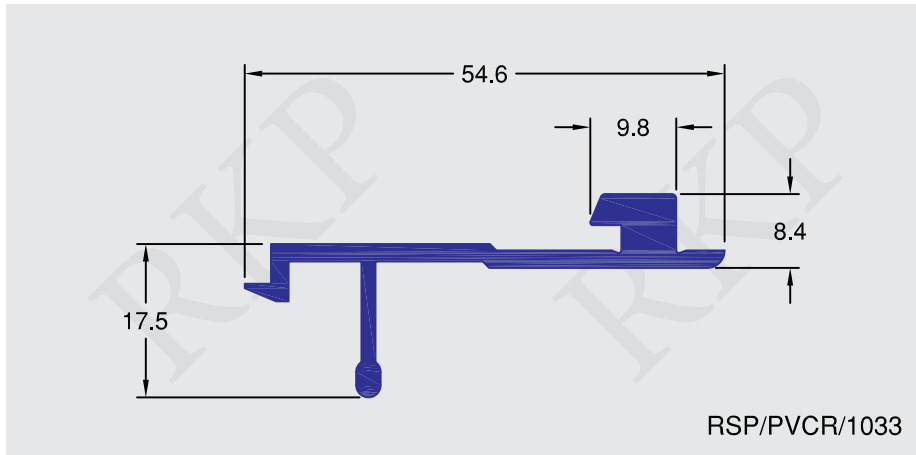
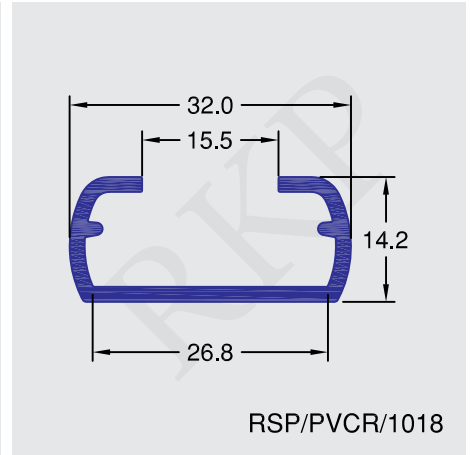
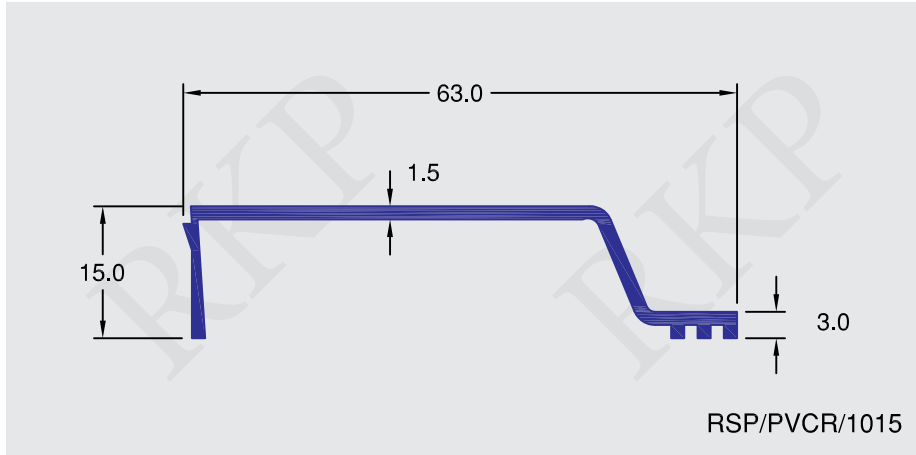
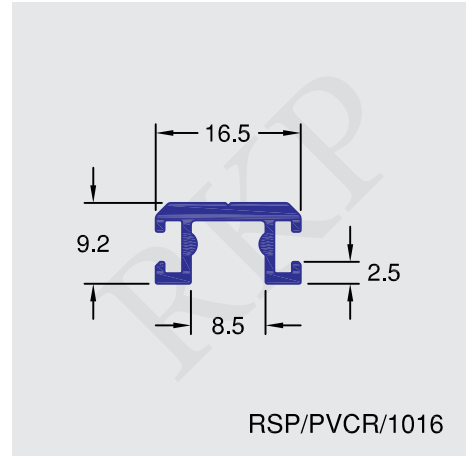
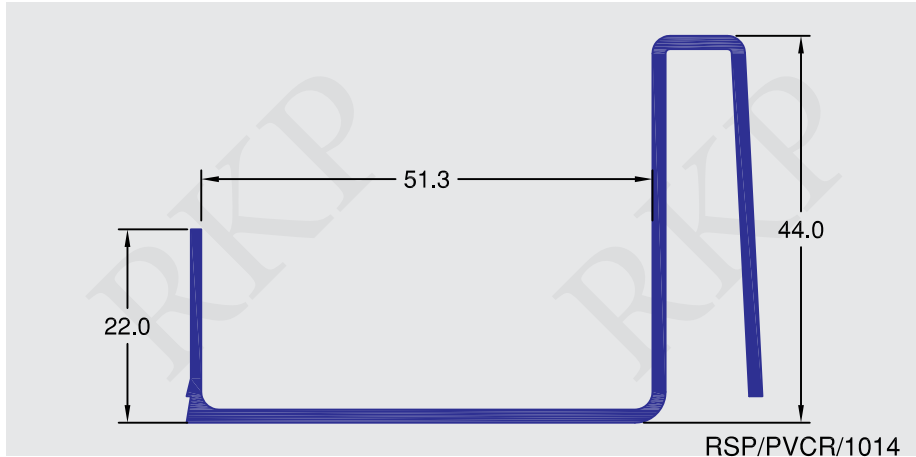
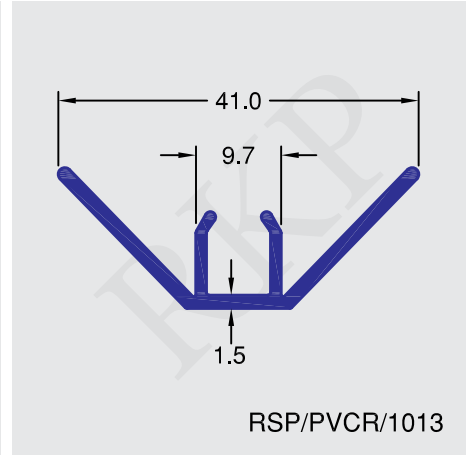
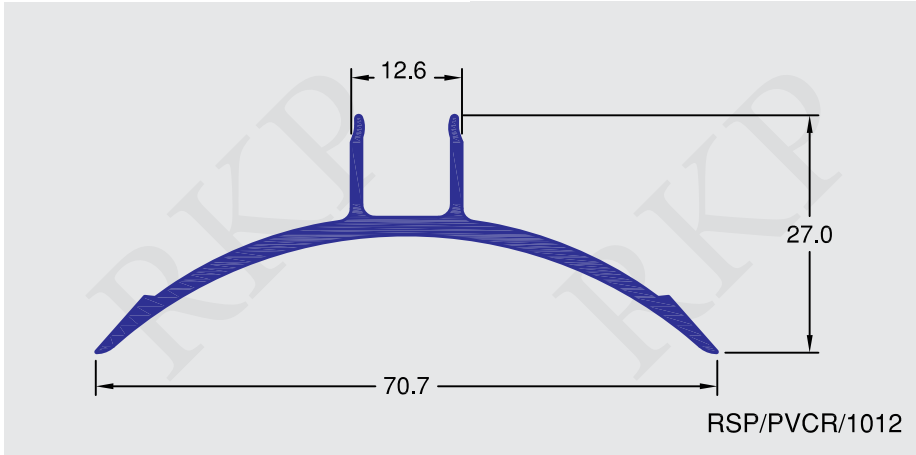


RSP/PVCR/1011

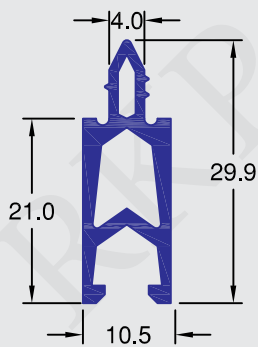


RSP/PVCR/1008

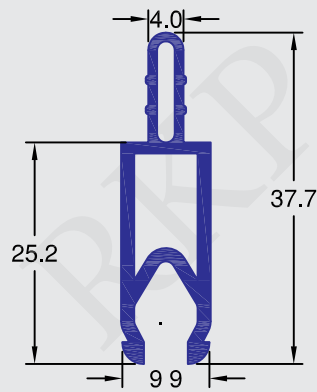
# RIGID UPVC PROFILES



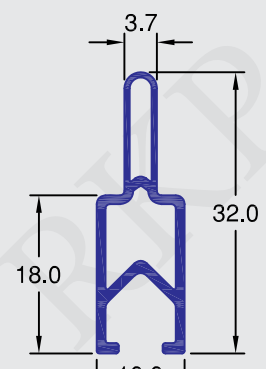
# RIGID UPVC PROFILES



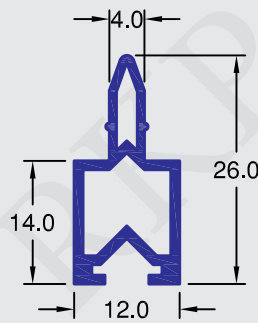
RSP/PVCR/1019



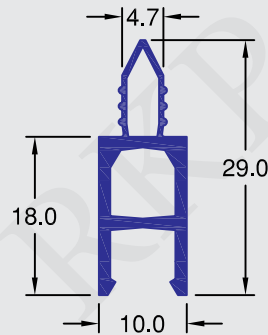
RSP/PVCR/1020



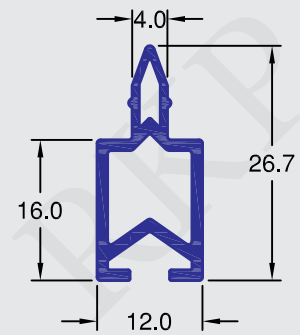
RSP/PVCR/1021



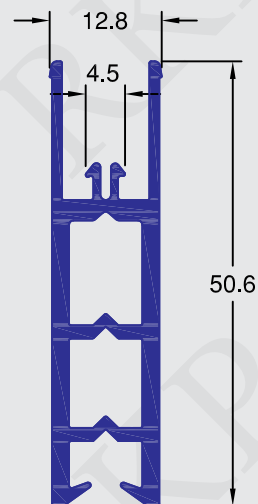
RSP/PVCR/1022



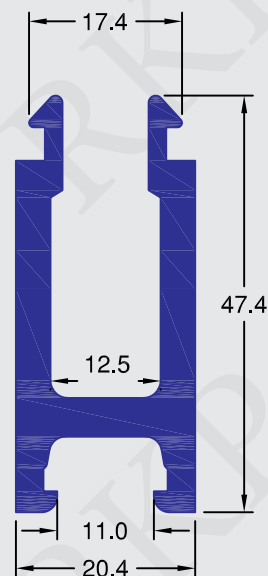
RSP/PVCR/1023



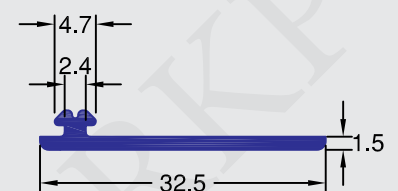
RSP/PVCR/1024



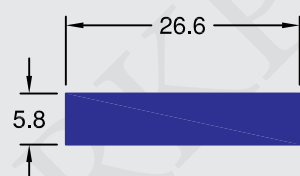
RSP/PVCR/1017



RSP/PVCR/1035



RSP/PVCR/1062



RSP/PVCR/1063