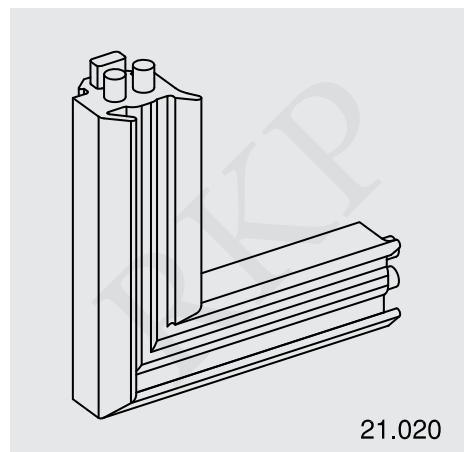
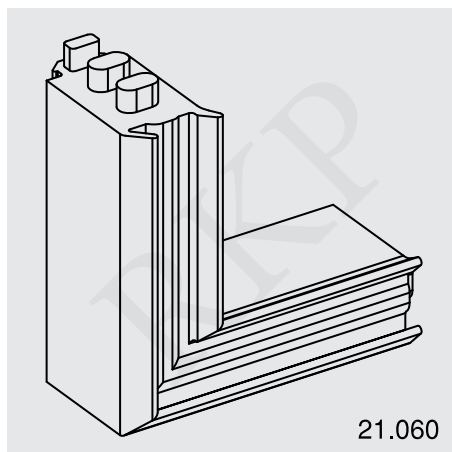
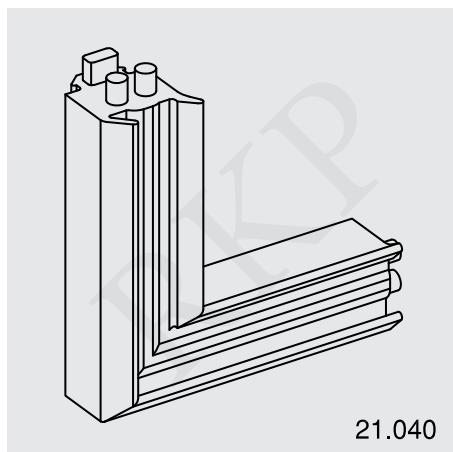
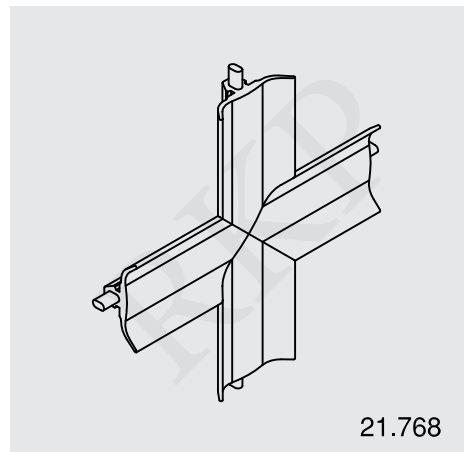
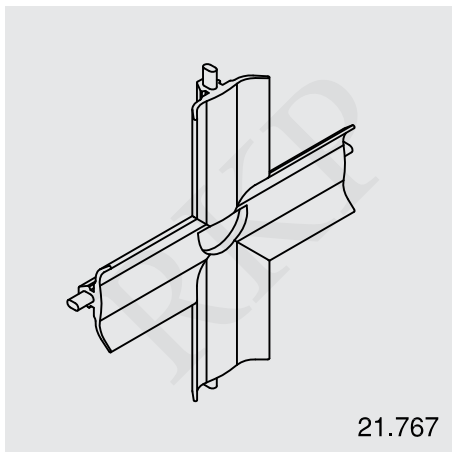
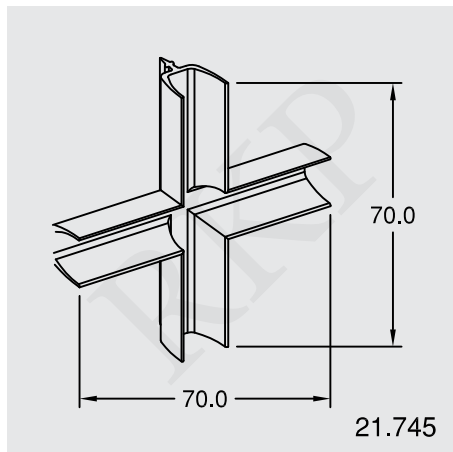
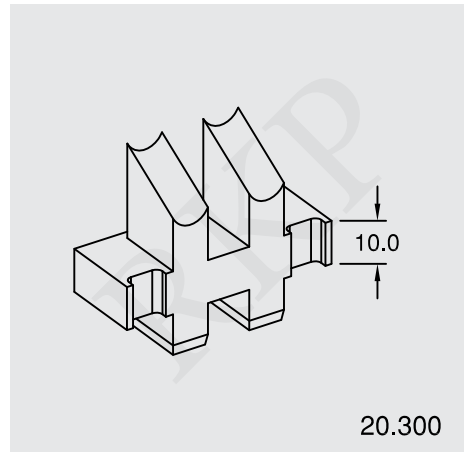
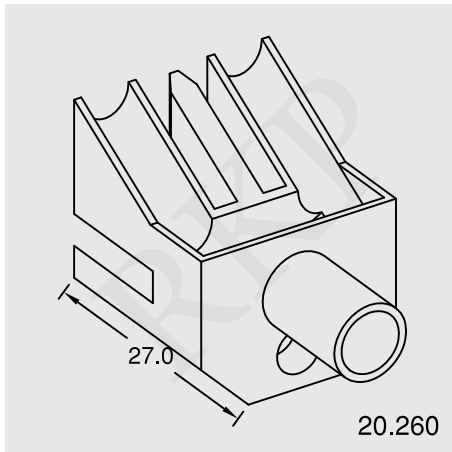
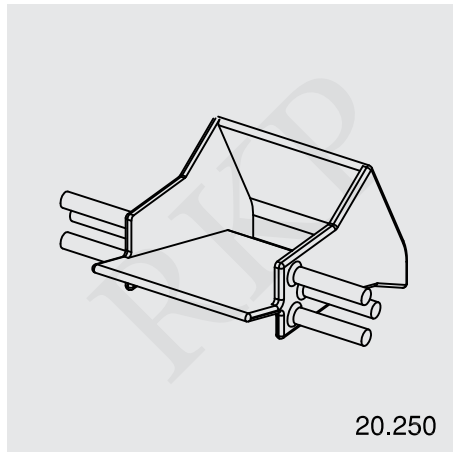
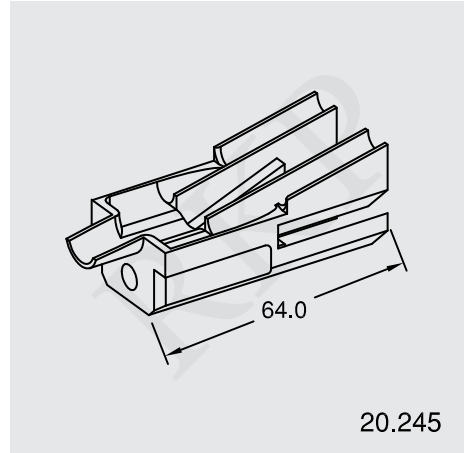
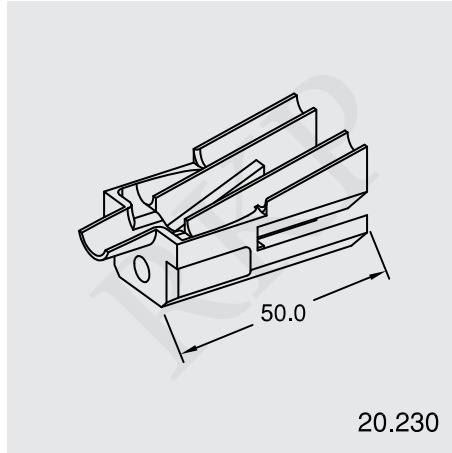
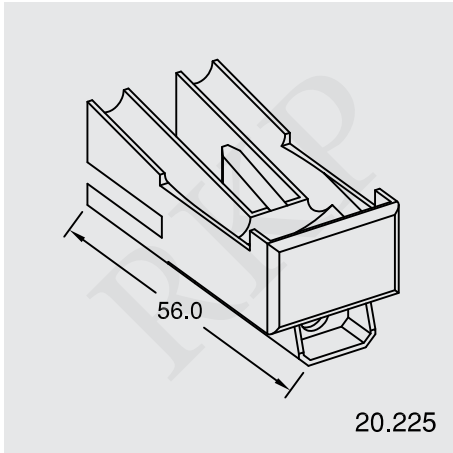
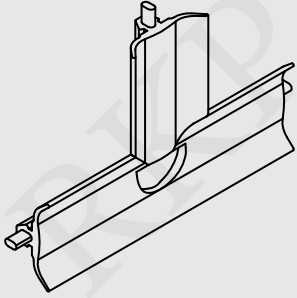


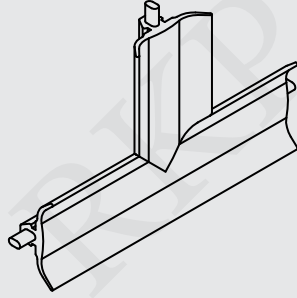
PVC / NYLON MOLDINGS



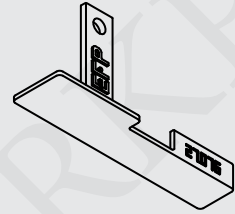
PVC / NYLON MOLDINGS



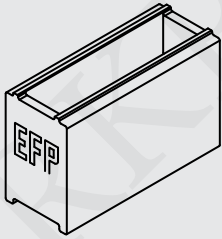
21.772



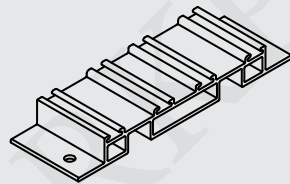
21.773



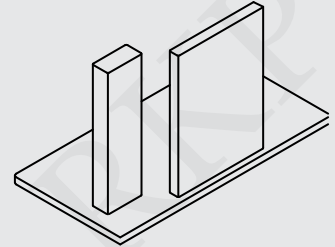
27.076



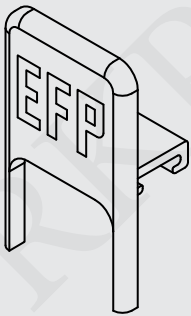
27.062



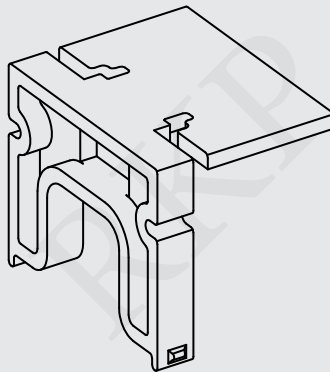
27.063



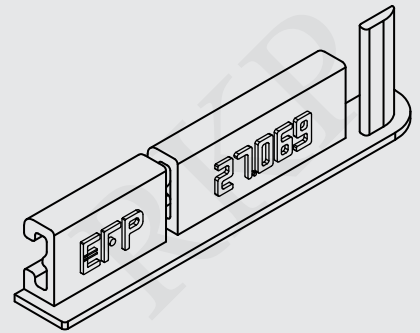
27.064



27.065



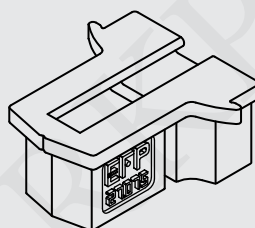
27.068



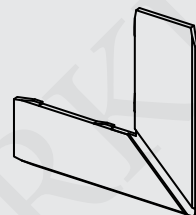
27.069



27.071

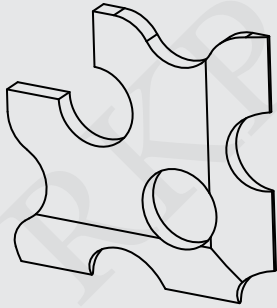


27.075



28.000

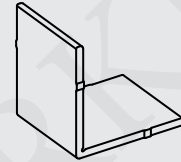
PVC / NYLON MOLDINGS



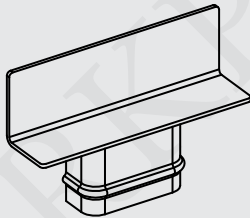
28.002



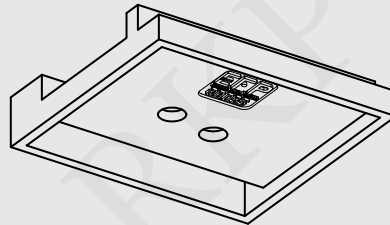
28.010



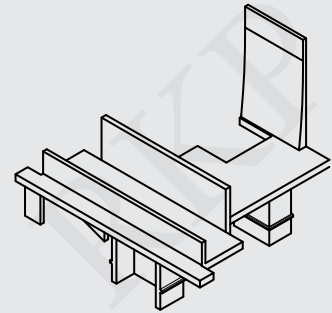
28.020



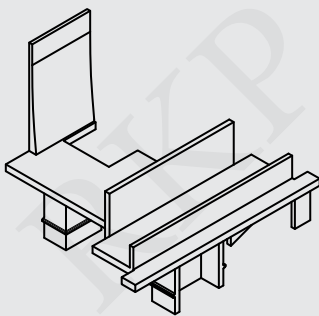
28.050



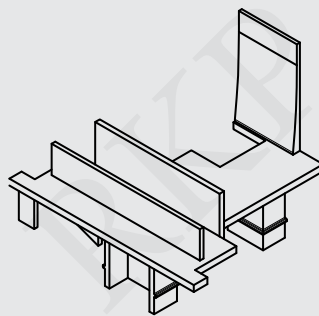
28.055



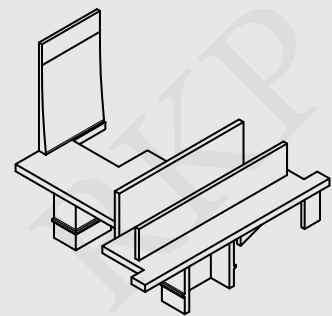
28.060



28.061



28.062



28.063



28.201



28.202