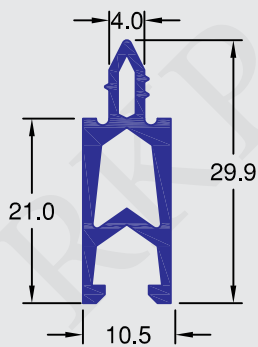
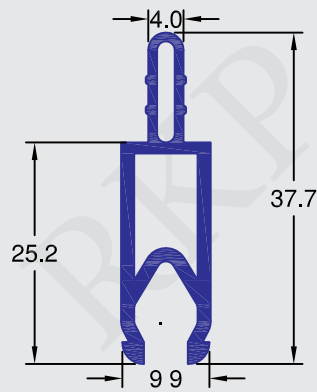


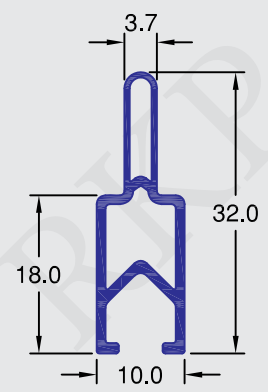
RIGID UPVC PROFILES



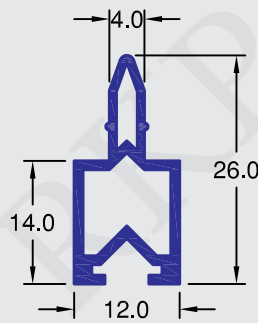
RSP/PVCR/1019



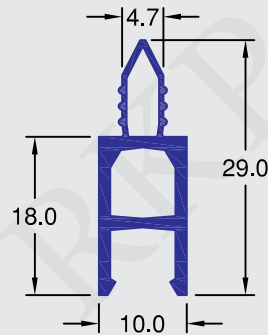
RSP/PVCR/1020



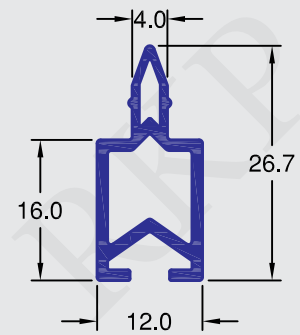
RSP/PVCR/1021



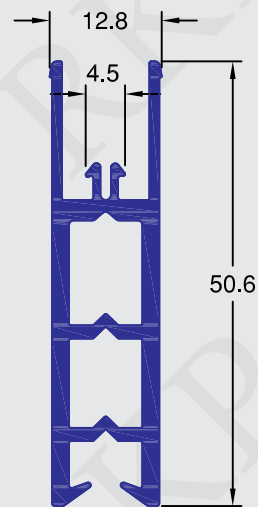
RSP/PVCR/1022



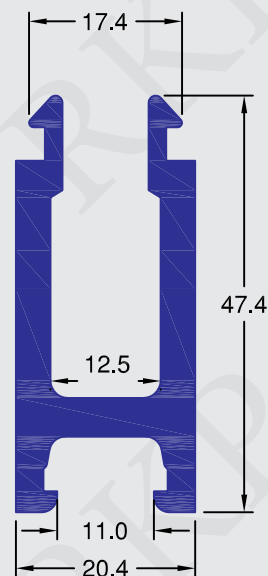
RSP/PVCR/1023



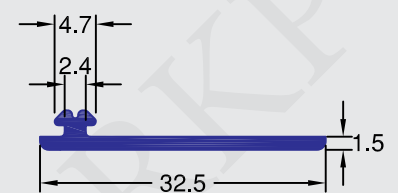
RSP/PVCR/1024



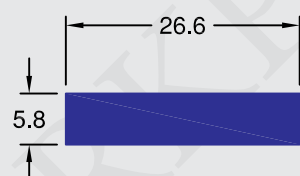
RSP/PVCR/1017



RSP/PVCR/1035

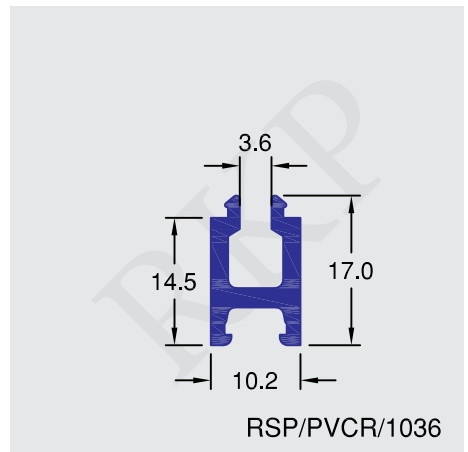
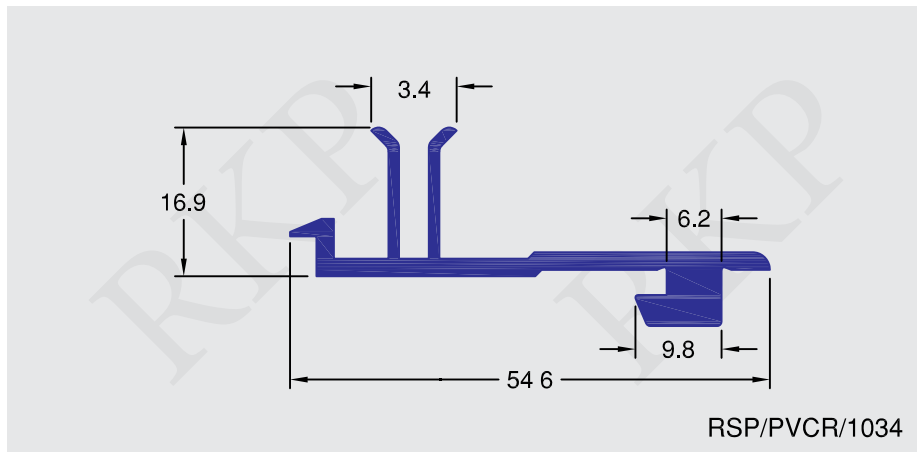
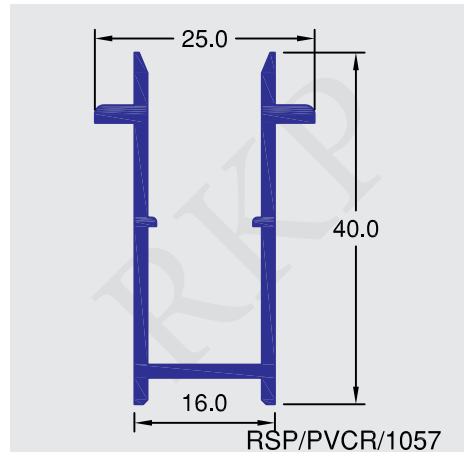
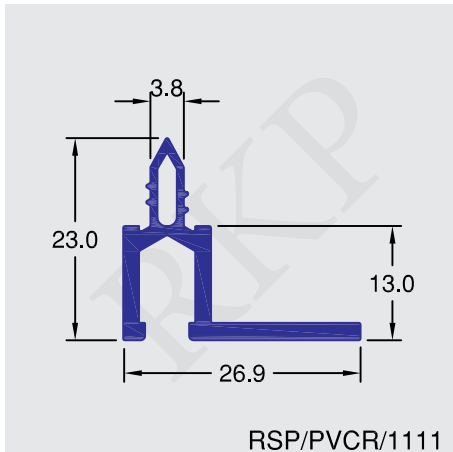
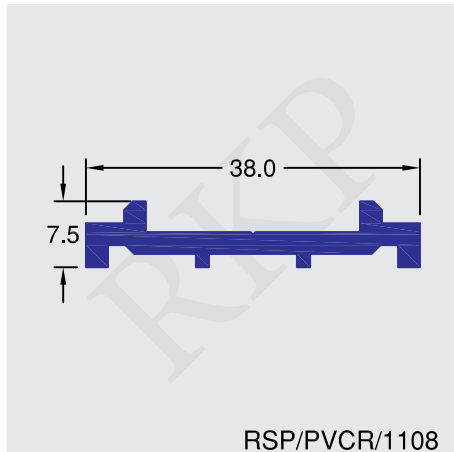
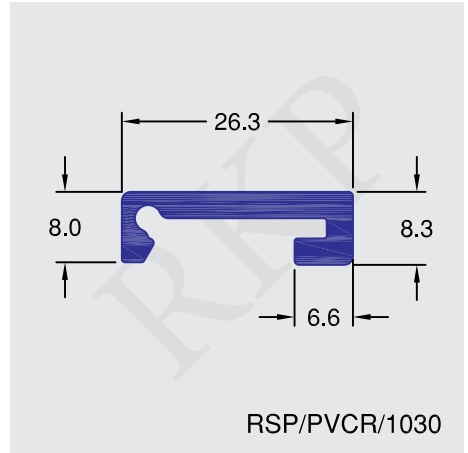
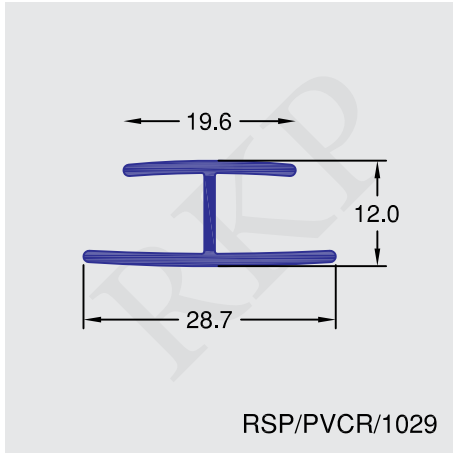
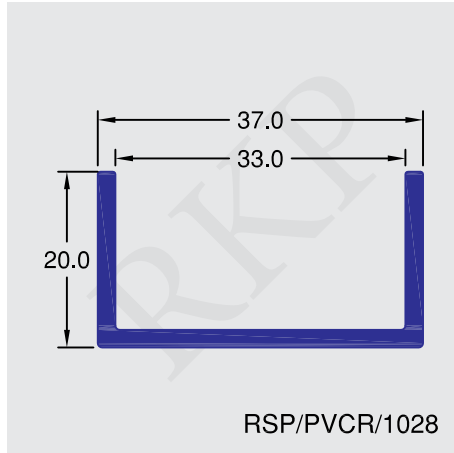
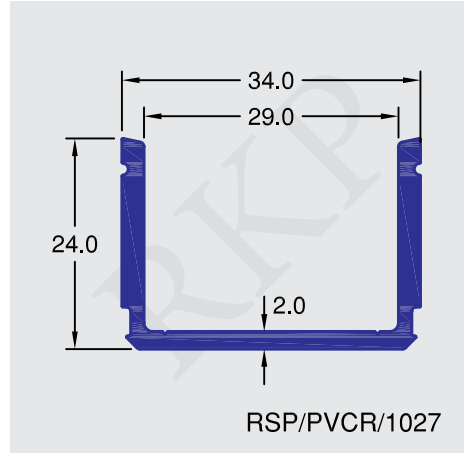
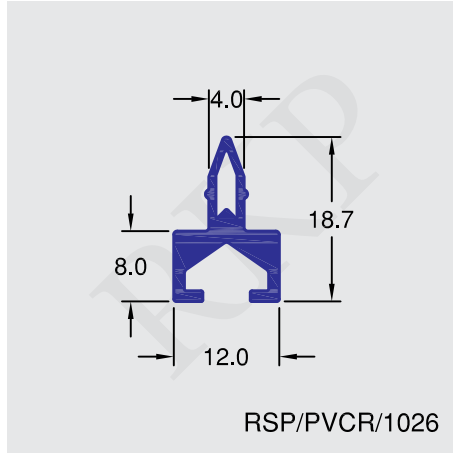
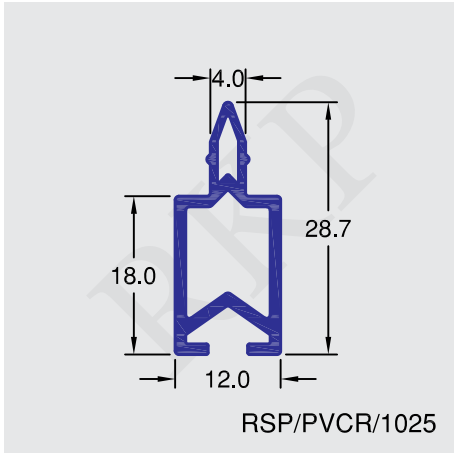


RSP/PVCR/1062

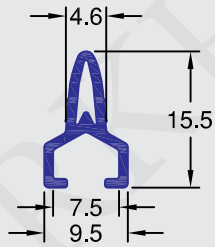


RSP/PVCR/1063

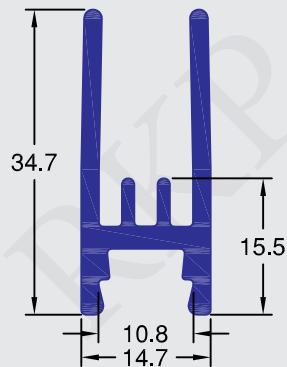
RIGID UPVC PROFILES



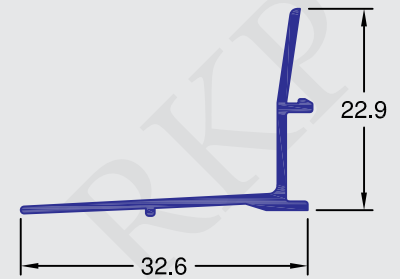
RIGID UPVC PROFILES



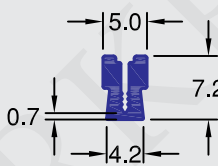
RSP/PVCR/1038



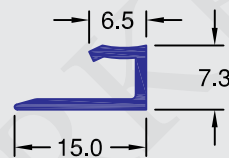
RSP/PVCR/1107



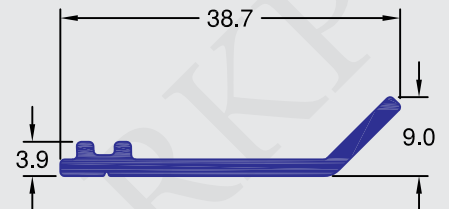
RSP/PVCR/1040



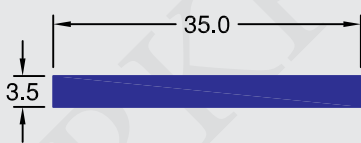
RSP/PVCR/1041



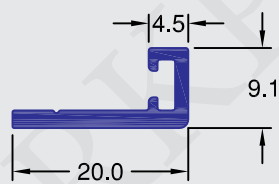
RSP/PVCR/1042



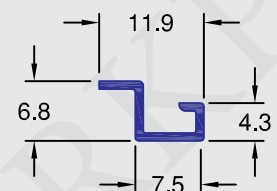
RSP/PVCR/1043



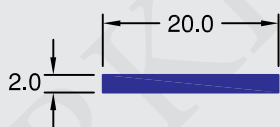
RSP/PVCR/1044



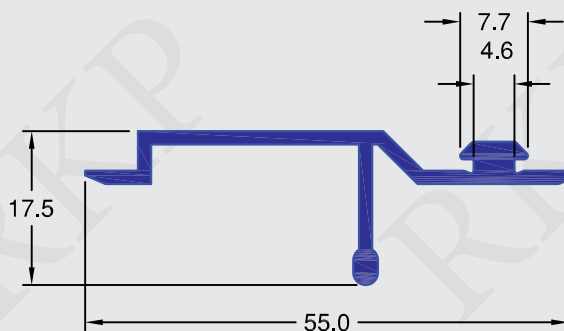
RSP/PVCR/1045



RSP/PVCR/1046



RSP/PVCR/1047



RSP/PVCR/1055